

# 1. GENERAL INFORMATION

## 1.1 Introduction to this manual

Please read carefully and follow the instructions detailed in this manual. Keep the manual for use and future maintenance. Pay attention to the data relating to the performance (see "Technical Data") and to the instructions for installation. Improper use or incorrect operation, fitting or assembly can damage the system as well as cause injury to people and damage to property.

The assembling instructions are available on the official web site

<http://www.comunello.com>

## 2. SAFETY

This installation manual is written exclusively for competent professional personnel.

The installation, electrical connections and adjustments must be carried out conforming to good practice and according to the regulations in force. Incorrect installation can cause a potential hazard.

The packing materials (plastic, polystyrene, etc.) must not be allowed to pollute the environment, but must be disposed of correctly, and must not be left within the reach of children since they can cause possible hazards.

Before starting installation, check the product is complete and undamaged.

The power cord can not be replaced. If the cable is damaged the appliance should be scrapped.

Do not install the product in an explosive environment or atmosphere: the presence of flammable gas or fumes is a serious health and safety hazard.

Before installing the drive mechanism, put in place all the structural modifications relating to safety measures and to the protection or segregation of all the zones involving hazards of crushing, shearing, entrapment and of general hazard. Check that all the existing structure has the necessary requirements of strength and stability. The manufacturer of the drive mechanism is not responsible for failing to conform to good practice in the construction of the windows to be opened, as well as any distortion which could occur during use.

Put up the notices laid down by current regulations to identify hazardous areas.

Ensure that the electrical supply is not a temporary one, but has the required electrical boxes, and in case of doubt or lack of (definite) information, also install:

- suitable isolating transformers
- thermal magnetic cut-outs suitable to voltage requirements
- surge arrester.

Before connecting the electrical supply, ensure that the electrical rating correspond to that of electrical distribution supply.

Fit onto the supply network an allpole switch with a contact gap of at least 3 mm. Check that on the supply side of the electrical plant there is a suitable differential residual current circuit breaker and overload protection.

When required to do so, connect to an efficient earthing/ground system fitted according to the safety regulations in force in the country where the actuator is being installed. Before carrying out any operation (installation, maintenance or repair), isolate the electrical supply before working on the equipment. To ensure complete isolation from the supply current, installation is recommended of a double-pole switch of the approved type.

The low-voltage 24 V dc actuators must be supplied by suitable power supplies (NOT TRANSFORMERS) of an approved Class II type (double safety insulation) having an output voltage of 24 V -15% to +20% (or from 20.4 V min. to 28.8 V max.)

When using the 24 V version, the cable must have a suitable cross-section, calculated based on the distance between the power supply and the actuator, so as not to have a voltage drop or loss.

The Airwin rack actuator is intended only and exclusively for use for which it was designed, and the manufacturer cannot be held responsible for damage due to its improper use. The actuator is intended exclusively for internal

Cross-section of cables	Max. length of the cable
1,50 mm <sup>2</sup>	~ 100 m
0,75 mm <sup>2</sup>	~ 50 m

installation to open top-hung and bottom-hung windows, skylights, dormer windows and roof windows. Any other use is not recommended unless with the prior approval of the manufacturer.

Install the actuator according to the instructions shown in this manual.

Any apparatus serving and controlling the actuator must be produced according to the regulations in force and respect the relevant standards issued by the European Community.

If the actuator is installed on a window at a height of less than 2.5 m from the floor and in buildings (public and otherwise) in which the use of destination is not clear, it must be operated exclusively by a command which is not accessible by public (key button).

The command button has to:

- 1) be placed at a height of 1500 mm from the floor
- 2) be positioned so that, at its activation, a person who carries the opening and closing has within its field of view all the moving parts.

Do not wash the apparatus with solvents or jets of water. Do not immerse the apparatus in water.

Any repair must be carried out by qualified personnel (the manufacturer or an authorised service centre).

Always insist that only original spare parts are used.


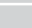
Failure to use the original spare parts could compromise the correct operation of the product and the safety of people or property, also annulling the effects of the guarantee enclosed with the apparatus.

In case of any problems or doubt, contact the point of sale where the product was purchased or the manufacturer directly.

# 3. TECHNICAL DATA

## 3.1 Table of technical data and mark

The CE mark certifies that the actuator conforms to the essential health and safety requirements laid down by European product directives. The CE mark can be identified by the relevant adhesive label applied to the outside of the product, on which are shown some of the data shown in the following table:

	Airwin	Airwin 2W-Net Airwin 3W-Net Airwin 4W-Net	Airwin	Airwin 2W-Net Airwin 3W-Net Airwin 4W-Net
Model A65	A65S1yH0G00*	A65SxyH0G00**	A65S1yL0G00*	A65SxyL0G00**
Model A45	A45S1yH0G00*	-	A45S1yL0G00*	-
Electrical power supply	230~	230~	24 	24 
Frequency	50Hz	50Hz	-	-
Operation	S2 4 min.			
Thrust/traction force A65	650 N	F Tot X 0,7	650 N	F Tot X 0,7
Thrust/traction force A45	450 N	F Tot X 0,7	450 N	F Tot X 0,7
Stroke speed unloaded	10mm/s			
Protection class	IP44			
Double insulation	Yes		Low voltage	
Rated Current / Power A65	0,36 A / 45 W	0,36 A / 45 W	1,85 A / 45 W	1,85 A / 45 W
Rated Current / Power A45	0,29 A / 36 W	-	1,5 A / 36 W	-
Operating temperature	-5° / +50°			
Stroke A65	180 – 230 – 350 – 550 – 750 – 1000			
Stroke A45	180 – 230 – 350 – 550 – 750 – 1000			
Open limit switch	on impact			
Closed limit switch	on impact			
Soft Start/Soft Stop	yes / yes	yes / yes	yes / yes	yes / yes
Obstacle detection	yes	yes	yes	yes
Connection in parallel	yes ( max 30 actuators )			
Synchronisation	no	yes	no	yes
Dimensions	96+stroke x 103 x 47 (except stroke 180)			
Weight	Variable according to stroke			

\* / \*\* Substitute "y" with the stroke distance: 18 (180mm), 23 (230mm), 35 (350mm), 55 (550mm), 75 (750mm), 0A (1000mm)  
 Replace "x" with synchronisation value: 2 = two actuators, 3 = three actuators, 4 = four actuators.

# 4. ACTUATOR

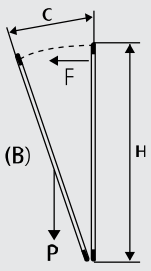
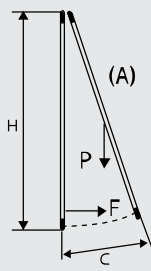
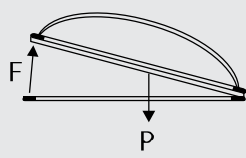
## 4.1 Types of power supply

The Airwin series of actuators is available in various models in two electrical supply versions:

- 230~ can be supplied with mains power 230~ (50/60Hz) (with a tolerance of  $\pm 10\%$ ), with a three-core supply cable: BLUE, neutral common; BLACK, open phase; BROWN, closed phase.
- 24 V AC can be supplied with a voltage of 24V AC with a two-core supply cable: BLUE, connected to the + (positive) closed; BROWN, connected to the + (positive) open.

## 4.2 Calculation of the force necessary

**Key to symbols** F = Force required to open in kg (kilogrammes)  
 P = Weight of the window (only moveable part) in kg (kilogrammes)  
 C = Opening travel of actuator in cm. (Centimetres)  
 H = Height of the openable part of the window in cm. (centimetres)

Bottom-hung inward opening	Top-hung outward opening	Horizontal skylight
		
$F = (P / 2) \times (C/H)$	$F = (P / 2) \times (C/H)$	$F = P / 2$

## 4.3 Pack and tools required for assembling the actuator

The actuator is packed individually in a cardboard box. Each pack contains:

Electric actuator, 230~ 50/60Hz or 24 V AC, with electric supply cable, support brackets, fixing bracket for top-hung window, fixing bracket for bottom-hung window, drilling template and instruction manual.

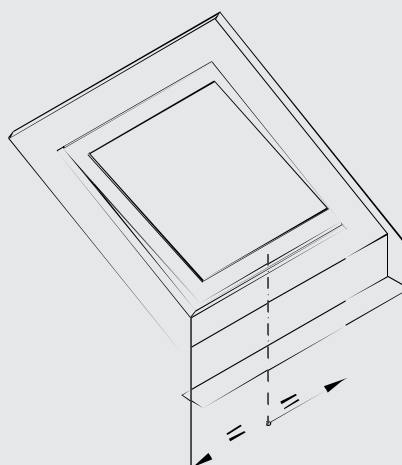
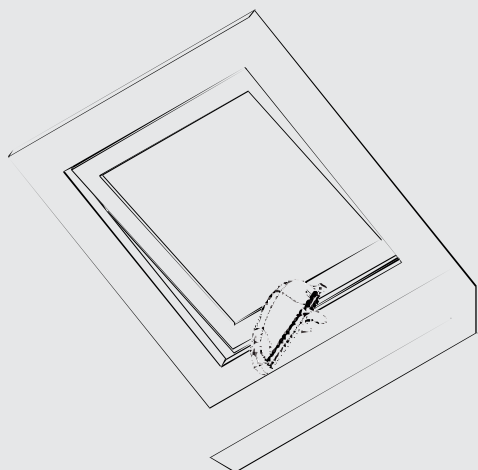
Before starting to fit the actuator, we recommend preparing the following fitting materials, tools and equipment: Metre rule or tape measure, pencil, drill/screwdriver, set of drill bits for metal or wood, set of screw bits, electrical pliers, screwdrivers, screws and/or threaded inserts suitable for the type of window material. AVOID using self-tapping screws and/or three-lobed screws on any metal windows.



**Top-hung outward opening window:**

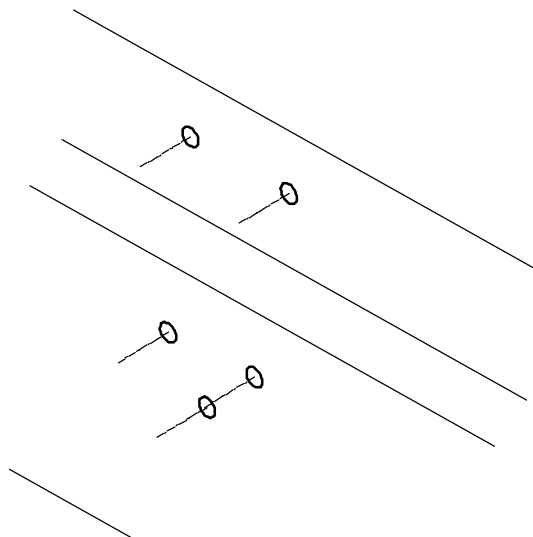
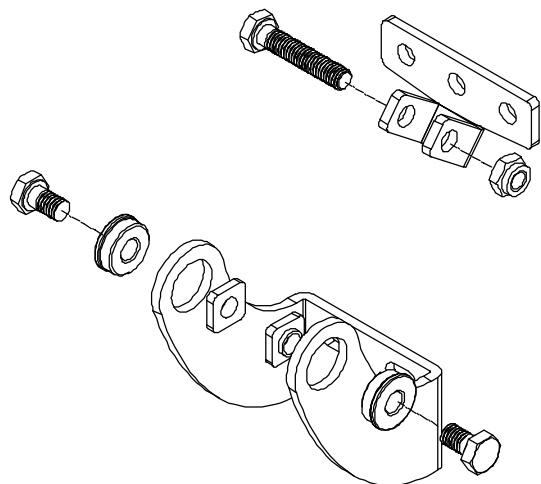
Type

With a pencil, mark the mid-point "X" of the window frame.



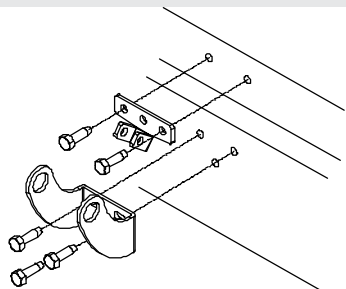
Accessories to be used

Drill holes in the frame using the measurements shown on Page 7.

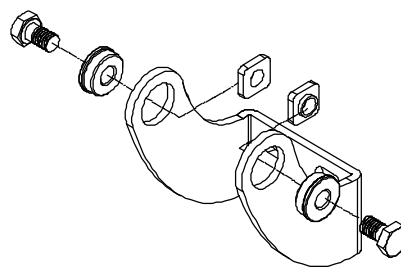


**Top-hung outward opening window:**

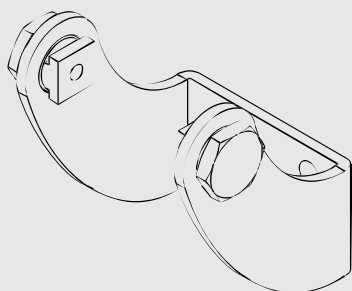
Fix the brackets and the fixings, using suitable screws.



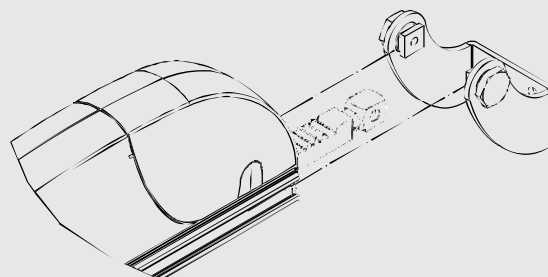
Insert the fixing bolts inside the holes prepared in the support bracket.



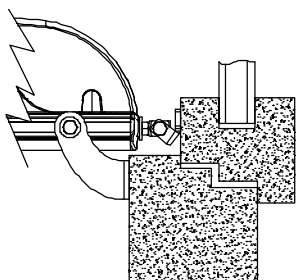
Screw the bolts, without tightening them, to the "T"-shaped plates.



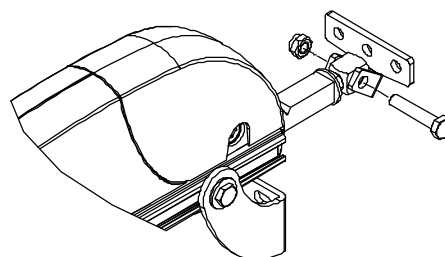
Insert the actuator into the plates just screwed on. Do not tighten the bolts completely to the plates.



Bring the actuator near to the fixing, sliding it on the plates so that the hole in the tracking strip (screwed to the rod) correspond to the side hole of the fixing.



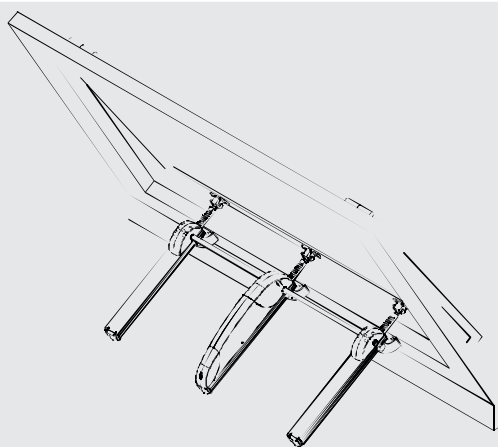
Join the rod to the fixing by using the nut and bolt supplied. Now tighten up the bolts.



## 5.2 Mechanical connection with bar of several actuators

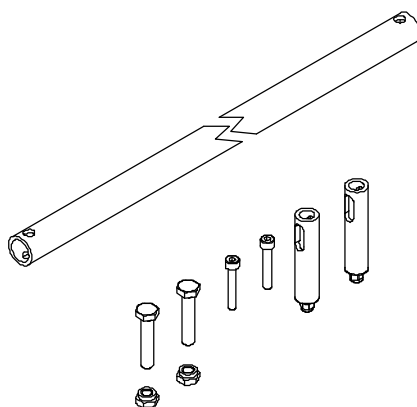
On very wide openings, it is possible, having checked the force necessary for opening/closing (calculated according to the table under Section 5.2), to connect in parallel electrical actuators and mechanical spindles to provide several pushing points and ensure correct and constant opening/closing of the window. It is advisable to fit an additional pushing point every 1.2 metres (approx.)

### Top-hung outward opening window with 2 or more pushing points: type



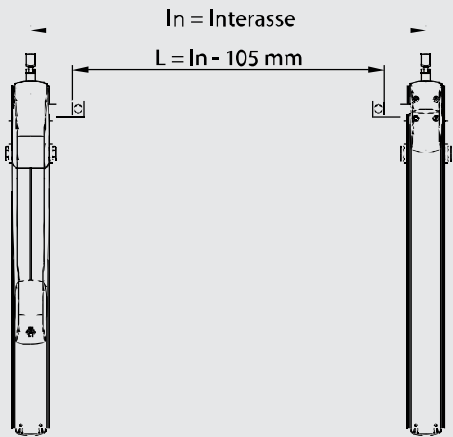
Carry out the assembly for the pushing points by following the installation sequence in Section 5.1

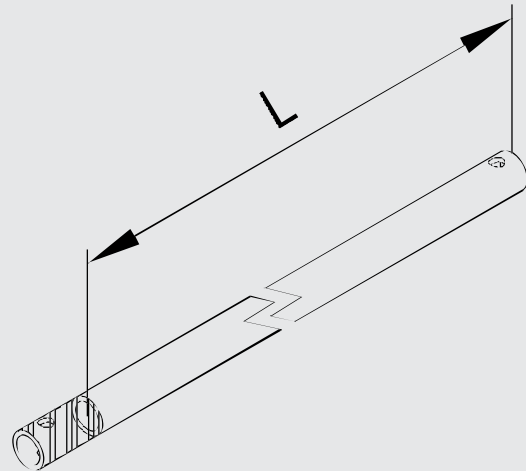
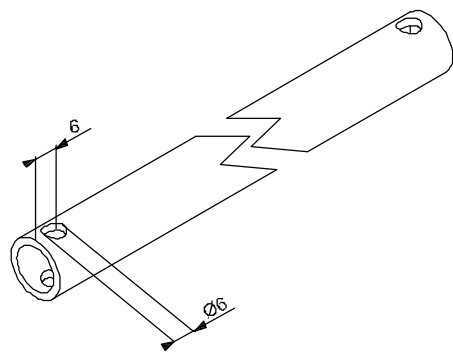
### Top-hung outward opening window with 2 or more pushing points: Accessories to be used



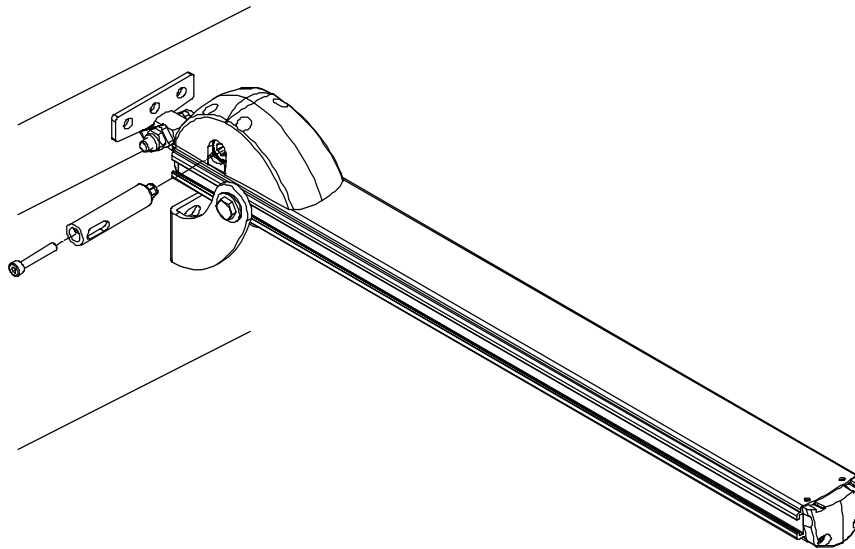
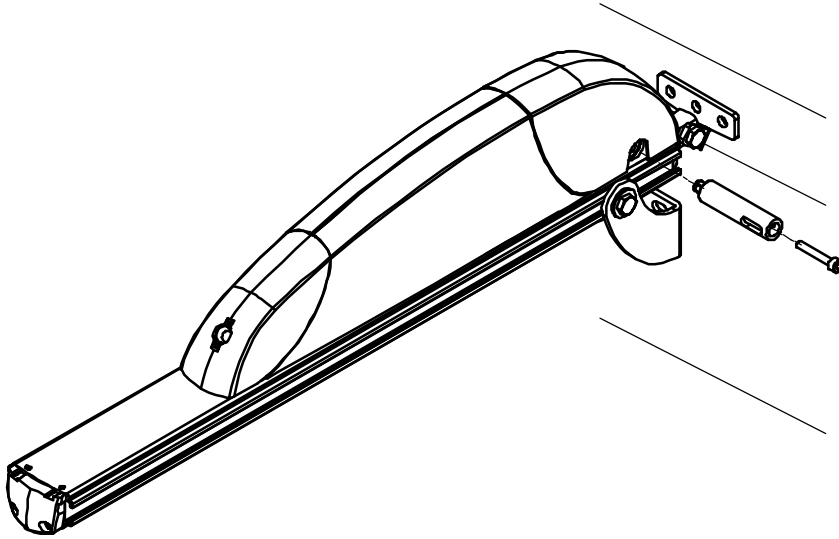


In the event where the distance between the pushing points, shown as "In", is different from that indicated in the table below, a longer bar will need to be used, made to the necessary length.

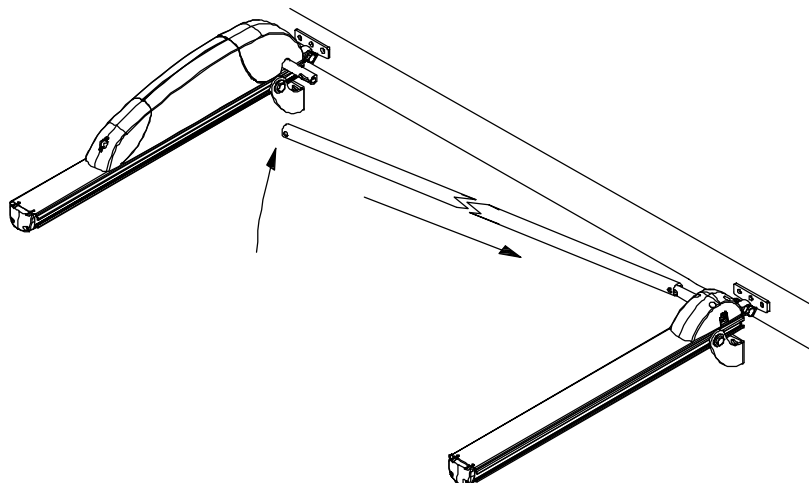
Top-hung outward opening window with 2 or more pushing points: Length of the connection bar			
	Distance "In" between centres in mm.	Bar length "L" in mm.	Article
	1000	891	MA00AB01N0G00
	1500	1391	MA00AB02N0G00
	2000	1891	MA00AB03N0G00
	2500	2391	MA00AB04N0G00
	3000	2891	MA00AB05N0G00
Kit of connection collars			MA00XX01N0G00
<b>L = In - 109 mm</b>			

Top-hung outward opening window with 2 or more pushing points	
Make the connection bar to measure	Drill the holes for fixing to the collars
	

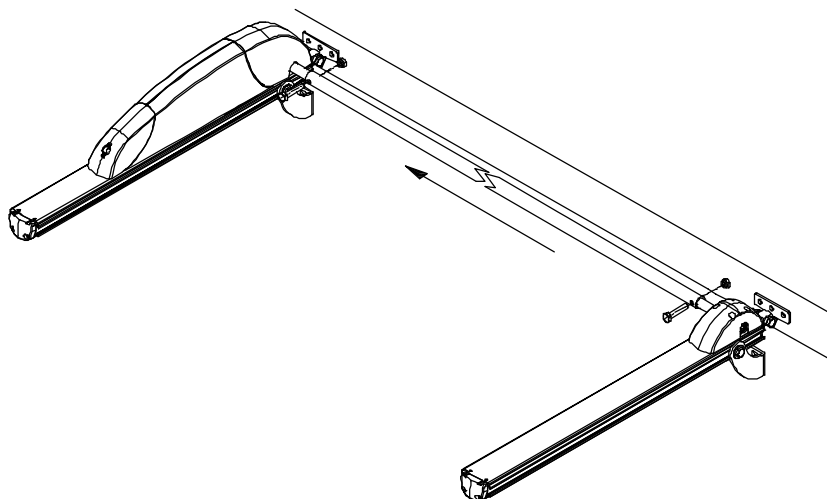
Insert the collar into position, in the actuator or in the drive rack. Insert the cylindrical screw with hexagonal head, and tighten it up.



Insert the connection rod into the collars.



Move the connection bar so that the holes match up. Insert the bolts and tighten them up.

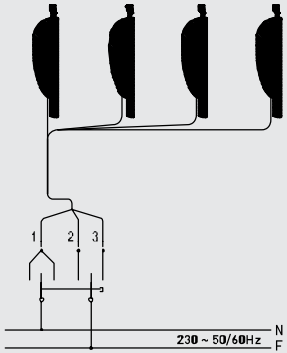
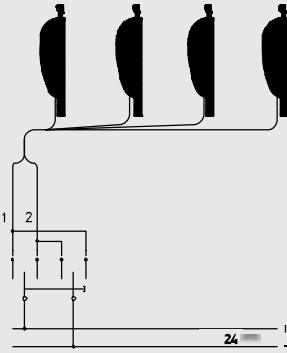
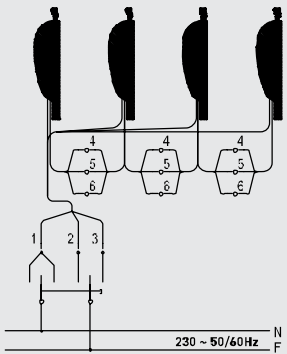
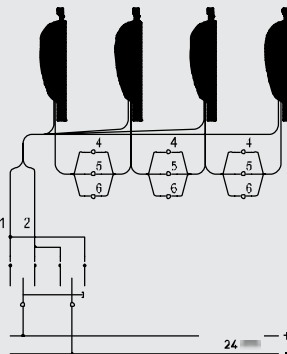


### 5.3 Electrical connection

Wire in the apparatus according to the electrical supply required by the actuator (see label on product), following the table below.

230 ~ supply			24 ~ supply		
1	Blue	Neutral / Common	1	Blue	Positive
2	Black	Phase / Open	2	Brown	Negative
3	Brown	Phase /Closed	4	White	Data (2/3/4 W-Net actuators)
4	White	Data (2/3/4 W-Net actuators)	5	Yellow	Data (2/3/4 W-Net actuators)
5	Yellow	Data (2/3/4 W-Net actuators)	6	Green	Data (2/3/4 W-Net actuators)
6	Green	Data (2/3/4 W-Net actuators)			

Electric 230 ~ wiring		Electric 24 ~ wiring	
			
Electric 230 ~ wiring (2/3/4 W-Net actuators)		Electric 24 ~ wiring (2/3/4 W-Net actuators)	
			

## 5.4 Operating test

Press the control button and close the window, checking that:

- a. The window is completely closed. If it is not, check that the gap between the window and the frame is bigger than or equal to 0 mm. If necessary, insert spacers so as to obtain the correct gap.
- b. The rack is perfectly vertical to the window frame. If necessary adjust the fixing bracket by using the screws and slots.

Having reached the correct closing position, press the control button and open the window in order to check that the actuator runs freely over the full travel set up.

Having achieved the required opening run, press the control button again to close the window. Once the window has completely closed, check that the screws, supports and fixings are tightened correctly, and that the seals are sufficiently compressed.

Installation completed

# 6. MAINTENANCE, EMERGENCY ACTION & CLEANING

If it becomes necessary to manually disconnect the window from the actuator due to: a power failure, mechanical breakdown, maintenance, or cleaning the exterior of the window, follow the step sequence described on Page 9 in reverse order.

**BEWARE OF THE DANGER** of the window falling; as the window is free to fall, as it is no longer held up by the spindle. Once the maintenance or cleaning operations have been completed, repeat the sequence described on Page 9.

# 7. PROTECTION OF THE ENVIRONMENT

Some parts inside the actuator are not recyclable (plastic materials and electronic parts) and cannot be considered normal refuse. They must be disposed of correctly. In case of doubt, consult the relevant refuse disposal body.

## 8. FAQ (frequently asked questions)

Question	Cause	Remedy
The actuator is not operating	No voltage supply	<p>Check the electrical cut-out or safety switch is "On".</p> <p>A cable may not be connected. With voltage supplied   Check the actuator voltage corresponds to voltage supply detected.</p>
	With voltage supplied	Check the actuator voltage corresponds to voltage supply detected
The actuator is not travelling the distance required	The window opening is not as required	Detach the rack from the fixing and check that the limiting arm allows the actuator to travel the complete run. If this does not happen, adjust the limiting arm so that the actuator travels the whole distance..
The actuator pulls out the screws	Fixings (bottom-hung window and/or top-hung window) are no longer fastened to the frame	Check that suitable fixings have been used.
		Check that, on closing, the rack is perfectly perpendicular to the frame. If not, check that the fitting was carried out according to the Installation Sequence, 5.1.

## 9. GUARANTEE

Fratelli Comunello SpA provides a warranty for thirty-six months for the correct functioning of the actuators from the date of manufacture, provided that the performance specifications indicated in the product instruction manuals are respected. Free of charge repair and replacement of components that are found to be faulty according to the indisputable judgment of the company's technical staff shall be guaranteed at the sole discretion of Fratelli Comunello Spa, and so excluding any claim for damages made by others. Warranty material shall be returned to Fratelli Comunello S.p.a. headquarters carriage paid and will then be shipped to the customer carriage unpaid. The material found to be faulty and returned to Fratelli Comunello S.p.a. shall remain property of the Seller.

Any cost resulting from any work needed to repair the defect or to replace the material shall be charged to the Buyer. No compensation shall be allowed for the period of device inactivity. Work under warranty does not prolong the warranty period.

The defect of the product shall be reported by the Buyer within 8 (eight) days from its discovery or from the date of delivery of the goods, under penalty of invalidation of the warranty. Such claim shall be notified in writing.

### **Warranty does not cover:**

Any product defect or damage that may have been incurred during transport; any defect or damage arising from any fault and/or from neglect, inadequacy and misuse of the electrical wiring in the Buyer's property; any defect or damage caused by any repairs carried out by non authorised personnel or by incorrect use/ installation (with reference to this, system maintenance is recommended every 6 months) or if not original spare parts are used; any defect caused by chemicals or atmospheric conditions. The warranty does not cover any cost neither for consumable materials nor for alleged defects or convenient surveys.

### **Product Features**

Fratelli Comunello SpA products are subjected to continue changes and improvements; their technical features and image may therefore change without previous notice.

### **Competent court**

Since the contract of sale is confirmed by an Order Confirmation drawn up in Rosà, any such dispute shall be settled by the laws of Italy and by the court of Bassano del Grappa (VI).

## DECLARATION OF EC CONFORMITY

The company **Fratelli Comunello S.p.A.**, based in **Rosà, Via Cassola 64 (VI), Italy**  
Declares under its full responsibility that the following actuators' models:

- AIRWIN A45 230VAC - AIRWIN A45 24VDC
- AIRWIN A65 230VAC, AIRWIN A65 2W-NET 230VAC, AIRWIN A65 3W-NET 230VAC,  
AIRWIN A65 4W-NET 230VAC
- AIRWIN A65 24VDC, AIRWIN A65 2W-NET 24VDC, AIRWIN A65 3W-NET 24VDC,  
AIRWIN A65 4W-NET 24VDC

Serial number and year of manufacture: **on the data plate.**

Description: **electromechanical actuator for windows, skylights.**

- Are manufactured in conformity with the basic requirements of the following European Directives:

Directive 2006/95 EC (Low Voltage Directive) and following amendments

Directive 2004/108/ EC (EMC Directive) and following amendments

Design and development have been carried out in compliance with the following European harmoni-  
sed standards:

EN 55014-1;

EN 55014-2;

EN 61000-3-2; EN 61000-3-3;

EN 61000-6-2; EN 61000-6-3;

EN 60335-1;

EN 62233;

- Last two numbers where EC-Marking is applied is - 12

**Luca Comunello**

Legal Representative of Fratelli Comunello S.p.A.



Rosà, 09/01/2012